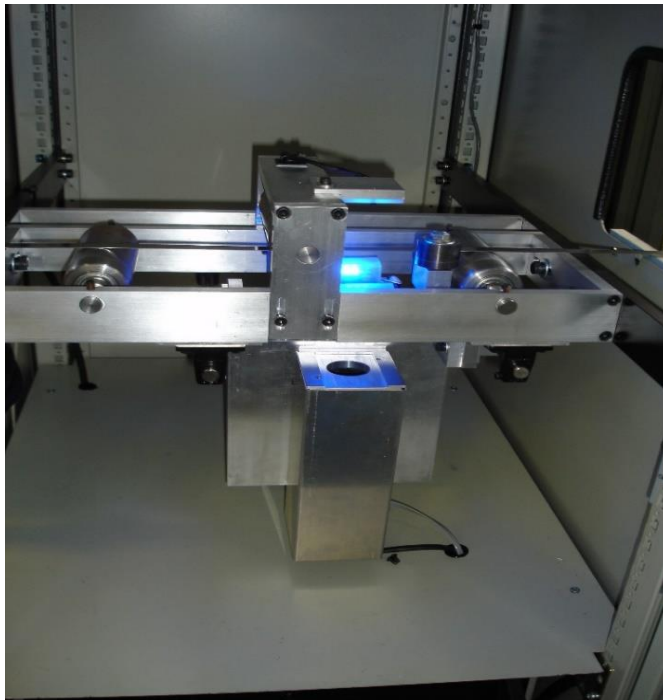
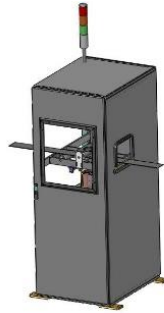
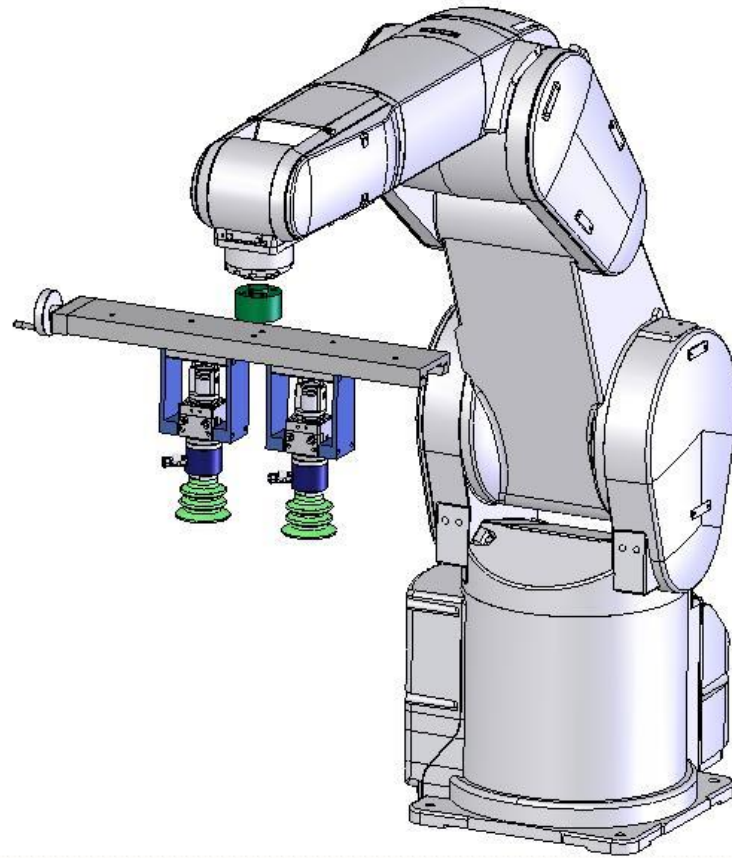


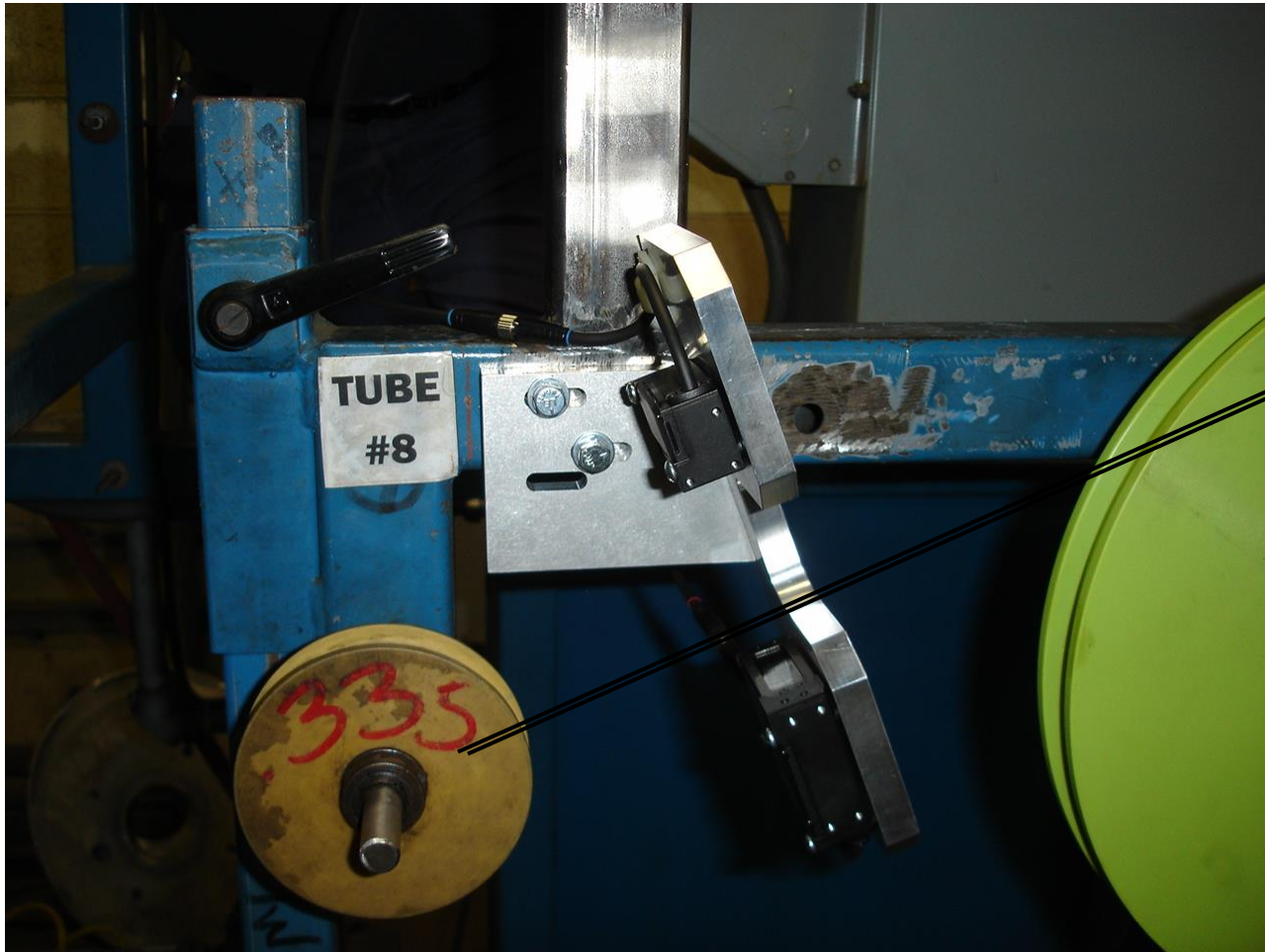
Strip Material Camber Gauging System
Through Beam Laser Sensor



**Continuous Weld Bimetal Strip Inspection
Machine Vision Image Processing**



Custom Designed 2 Place Robotic End Effector
Vacuum Grip w/ Dual Line Positioning



In-process Strip Material Defect Detection
Through Beam Sensing <.5mil Resolution